

## DEVICE SPECIFICATION

### EZ-SyncLed

- Up to 1  $\mu$ sec light pulse
- IP 54 + shock resistant
- No need for strobe controller
- Less than 3W power consumption
- No need for external power supply
- Up to 10 devices parallel connections
- Signal and power in single cable

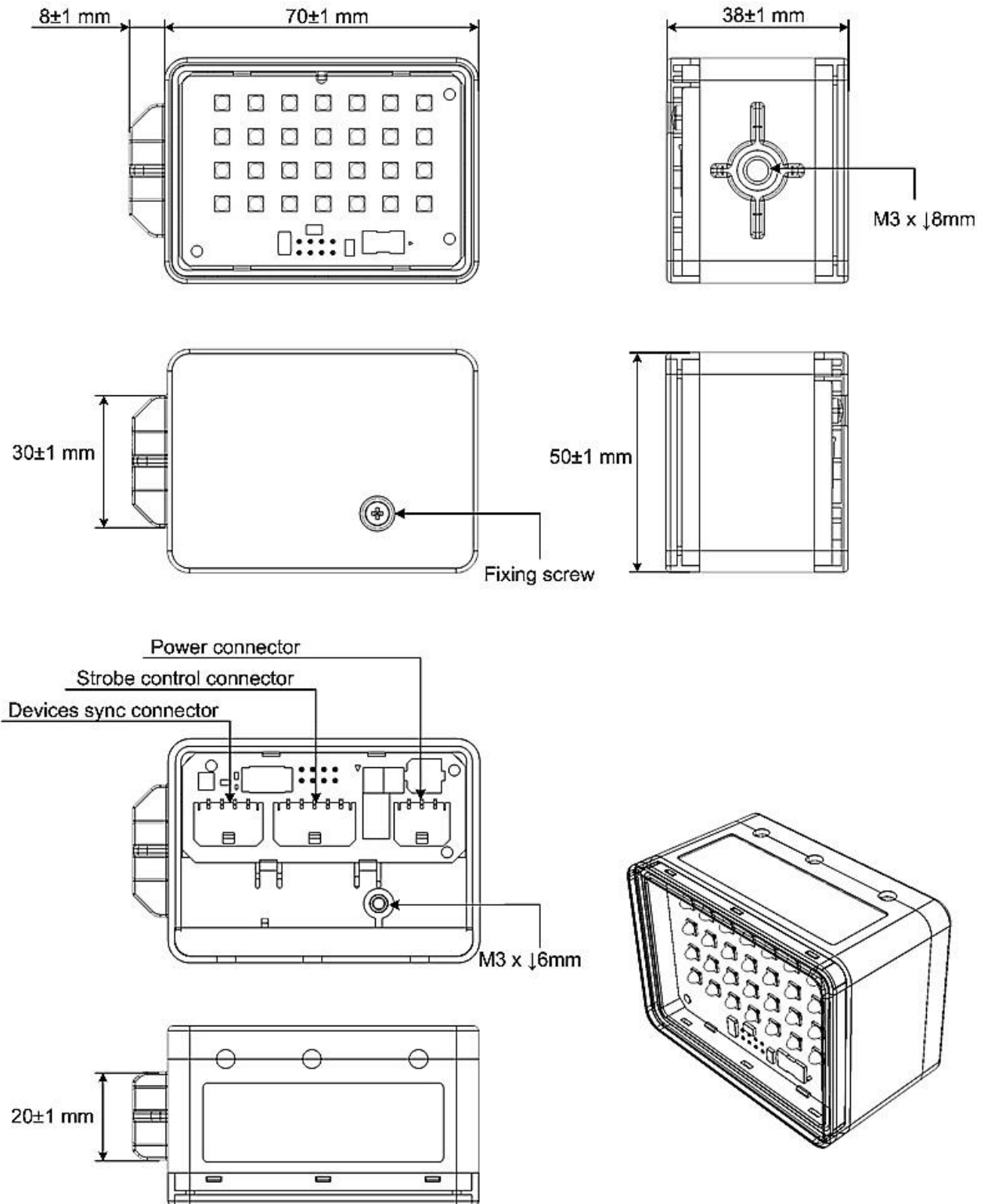


## Common characteristics

**Table 1**

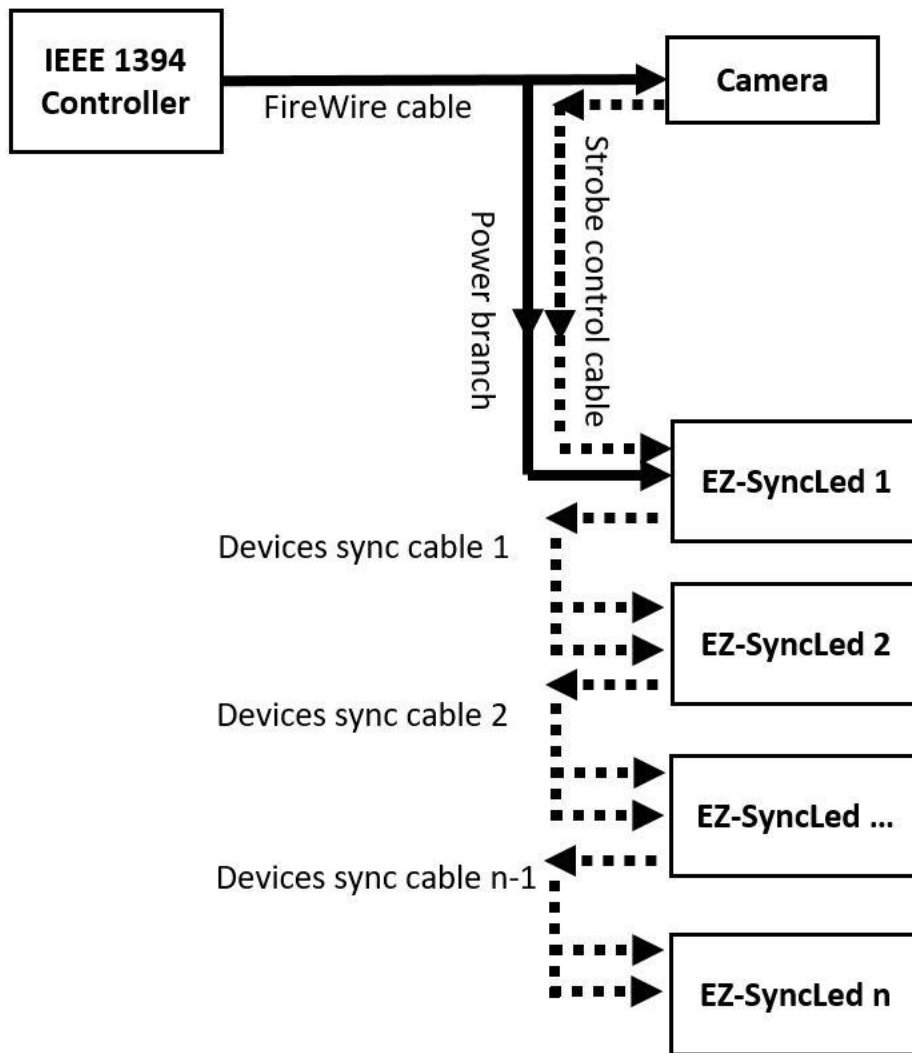
<b>Emitter</b>	28 High Power LEDs, 84 Watt
<b>Light pulse length</b>	1-5000 $\mu$ sec
<b>Modes of work</b>	Pulsed
<b>Power Consumption</b>	3W max
<b>Supplying from FireWire</b>	1394 a/b
<b>Supplying from external source</b>	5 — 40V
<b>Models</b>	White LEDs, White 60° LEDs, IR LEDs
<b>Environmental temp (operation)</b>	-30 — 70 °C
<b>Environmental Protection</b>	IP 54 + shock resistant
<b>Weight</b>	300 g
<b>Dimensions</b>	70*50*38 mm
<b>Brightness</b>	0.1m / 3000Lm White

## Physical characteristics



## Connection and cables

Connection scheme is demonstrated at Picture 1. Special FireWire cable connects camera with controller. Power branch from FireWire cable is connected to Power connector of device. Strobe control cable is connected to Strobe control connector. Devices sync cable is connected to Devices sync connector. It allows to connect few EZ-SyncLed with each other. All of them will work from same power supply and strobe signal. It is possible to connect, up to 10 devices in one chain.

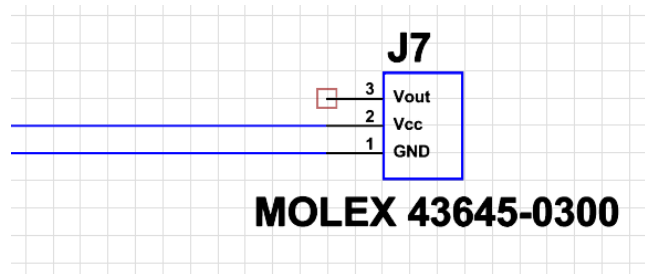


Picture 1 – Basic connections scheme

For connection are used two types of special FireWire cables with power supply branch.

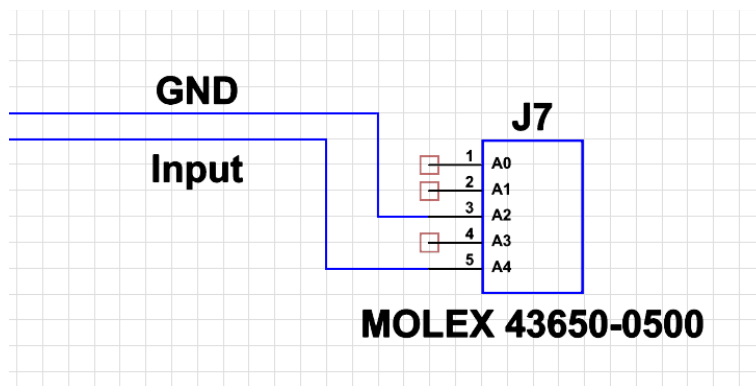
Fire wire cables types: A – A, A – B, B – B.

For connection strobe signal from camera to device are used cables specific for camera type. You can order any type of cable for any type of cameras. For details, connect to your regional suppliers.



Picture 2 – Power supply cable connector

There is an option of not standard power supply connection. It is possible to use external power supply instead of special power branch in FireWire cable. In this case power supply should be in a range of 8-30 V. Power supply cable connector is represented at Picture 2.



Picture 3 – Strobe control cable connector

There is an option of not standard strobe signal connection. It is possible to use external strobe signal instead of a camera strobe signal. In this case strobe signal should be in a range 2-5V. Strobe control cable connector is represented at Picture 3.

## Contacts and technical support

### File X Ltd.

#### Israel

POB 4094 Einstein St. 13a Ness Ziona ZIP code: 7414002 Israel

Tel. +972-72-2123661 Fax. +972-72-2123671 info@thefilex.com www.thefilex.com